

APEX **INSTRUCTIONS**

Compact Reel **System**



Care and service:

The finish is highly resistant to salt and most chemicals. Strong acids should be avoided such as mag wheel cleaner.

The reel is rebuildable but is unlikely to need rebuilding if used properly. If there is damage and it is worthwhile to rebuild, contact APEX for replacement parts.

Mounting outdoors:

While the reel is resilient to dirt and snow, mounting in a truck bed or outdoors without protection from ice and snow may cause reeling issues. Reel may be power washed but remember to protect the air chuck from dirt and water intrusion. The hose and other parts are UV resistant. Direct sunlight is OK.



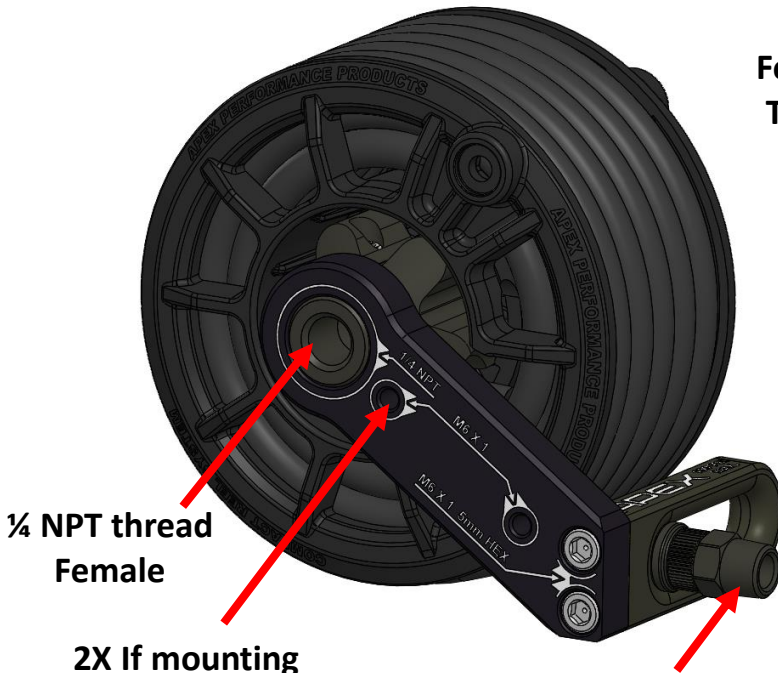
CRS Compact Reel System

Reel Install Notes

For NPT threads use
Teflon tape or pipe
dope to seal.



MORE INFORMATION
AND VIDEOS



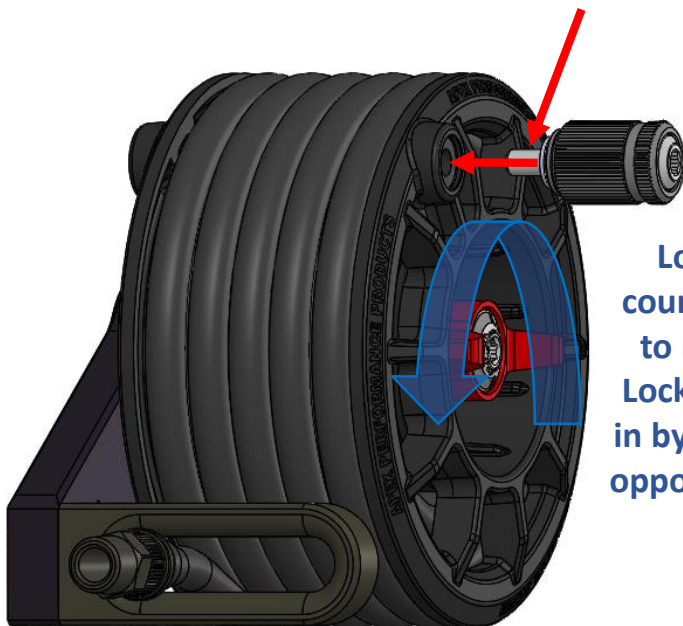
1/4 NPT thread
Female

2X If mounting
directly, use supplied
M6 - 1.0 screws.

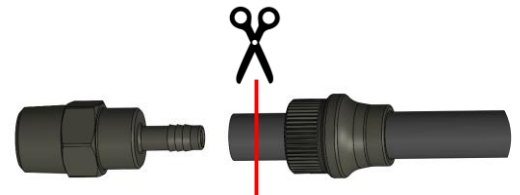
1/4 NPT thread Male
Any chuck may be used that
has a 1/4 NPT female thread.

When reeling in, guide hose in a
manner to neatly nest inline from
side to side. Hold some tension on
reel knob once reeled in and lock
knob. This will prevent rattles.

Remove tape from the nut already installed on the reel.
Remove nut from knob (extra)
Use 5mm hex to install knob



Loosen knob
counterclockwise
to release reel.
Lock after reeling
in by turning knob
opposite direction.



The hose may be shortened
by unscrewing sleeve and
sliding sleeve back. Remove
hose from barb and cut hose
using sharp razor blade. Push
barb into hose and screw
sleeve onto barb fitting.